

VACC-SAFE

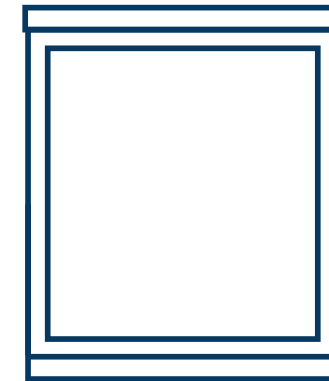
PHARMACY REFRIGERATOR

Product implementation standards:
EN 61010-2-011:2021/A11:2021
EN 61326-1 :2013

EN

Vacc-Safe

USER MANUAL



Model: VS-86L108

Vacc-Safe

1300 459 140



Warning:
Before using this product,
please read this manual carefully
and keep it for future reference.
The design and specifications
are subject to change without
prior notice for product
improvement. Consult with your
dealer or manufacturer for
details.

Table of Contents

1. Product Features	01
2. Safety Warnings	02
3. Precautions for Use	06
4. Product Installation	07
5. Product Components and Overview	10
6. Operating Instructions	11
7. Alarm Description	12
8. Maintenance	13
9. Troubleshooting and Repair Service	15
10. Specifications	16
11. Packing List	17
12. Electrical Schematic Diagram.....	17
13. Service Guide	18

Product Features

This product is mainly used to keep drugs, vaccines, and reagents. It is applicable to hospitals, epidemic prevention stations, universities, scientific research institutes and electronic chemical industry enterprise labs.

Product Functions

Precision Temperature Control Data Traceability

- Computer temperature control, with a display accuracy of 0.1°C
- The temperature in the ULT freezer is uniform and controllable, with an adjustable temperature range as low as -86°C, and the temperature control is accurate
- Standard USB port and traceable temperature data; query and save temperature data at any time

Efficient Refrigeration Effective Thermal Insulation

- Imported compressor, auto-cascade refrigeration, strong refrigeration capacity, high safety and reliability
- High-performance VIP insulation layer with good insulation effect
- Multi-layer 3D seal design effectively reduces refrigerating capacity loss and frosting

Multiple Alarms Safety and Stability

- Perfect acoustic and optical alarm function, allowing high- and low-temperature alarms, power off alarm, sensor fault alarm, etc. with alarm values adjustable on demand
- Design of safety door lock improves the safety level of sample management

Humanized Design

- Adjustable rack design ensures storage space available as required
- **The LED** screen can be configured to display the temperature inside the ULT freezer and ambient temperature, and setting the high and low temperature alarm values and the ULT freezer temperature values as required, with the function of fault warning and early warning.

Note: The above features are not available for all models of products, and the detailed configuration shall be subject to the specific functions of each model. Due to the continuous optimization of the product, the product you obtained may not be exactly consistent with the instructions. We sincerely apologize for this. The contents of the manual are subject to change without prior notice.

Safety Warnings

Safety Warning Signs



Warning



Watch Your Hand



Electrocution Hazard!



Combustible Material

- ❗ **WARNING:** The packaging base at the bottom of this series of products must be removed before use.
- ❗ **WARNING:** When moving this series of products, take care that the bottom foot does not touch the power cord.
- ❗ **WARNING:** The bottom front wheel brake of this series of products need to be locked after moving to the designated position.
- ❗ **WARNING:** This series of products need to be left to stand for 24 hours before initial power-up.
- ❗ **WARNING:** When this series of products are just connected to the power supply, do not immediately put the items in to it. After running for a period of time, when the temperature inside the ULT freezer drops to the set temperature, then put the items in batches.
- ❗ **Note:** A single batch of items put into the ULT freezer can not exceed 1/3 of the volume.
- ❗ **WARNING:** Keep all ventilation openings in the enclosure or, in the structure for building-in, clear of obstruction.
- ❗ **WARNING:** Do not use mechanical devices or other means to accelerate the defrosting process, other than those recommended by the manufacturer.
- ❗ **WARNING:** Do not damage the refrigerant circuit.
- ❗ **WARNING:** Please use grounded power outlets to prevent electric shocks. Ungrounded power outlets must be connected with grounding wires by professional technicians.
- ❗ **WARNING:** This ULT freezer must be firmly placed on a solid and flat ground and proper care is taken to prevent overturning. If the floor is not level or the ULT freezer is placed in an improper location, the ULT freezer may fall down and cause injuries.
- ❗ **WARNING:** In case of leakage of gas and other flammable gases, open the doors and windows to ventilate and exhaust gas. Do not plug or unplug the power plug of the ULT freezer, otherwise it may cause an explosion and fire.
- ❗ **WARNING:** Only professional technicians or maintenance personnel for after-sales support can disassemble and assemble the ULT freezer. Otherwise, it may electric shocked to cause a fire.

- ❗ **WARNING:** Please use the special power supply indicated on the nameplate of the ULT freezer, otherwise it may cause a fire or electric shock.
- ❗ **WARNING:** The power cord of this ULT freezer is equipped with a three-prong (grounded) plug to mate with a standard three-prong (grounded) outlet of 16A. Never remove the grounding pin of the power cord. Make sure that the power plug and the outlet are connected firmly and reliably, otherwise it may cause a fire.
- ❗ **WARNING:** When removing the plug from the power socket, you should hold the power plug instead of pulling the wire of the power plug. Otherwise, it may cause electric shock or fire due to short circuit.
- ❗ **WARNING:** If the ULT freezer is not operating properly, unplug the power plug. It may cause an electric shock or fire if the ULT freezer continues to operate under abnormal conditions.
- ❗ **WARNING:** Before any repair or maintenance of the ULT freezer, always disconnect the ULT freezer from the power supply to prevent electric shocks or personal injuries.
- ❗ **WARNING:** Make sure that the drugs or suspended particles inside and around the ULT freezer will not be inhaled during repairs and maintenance, otherwise it may cause harm to human health.
- ❗ **WARNING:** When storing toxic, harmful, or radioactive substances, please use the ULT freezer in a safe area. Improper use may cause harm to human health or the environment.
- ❗ **WARNING:** Disconnect the power plug when the ULT freezer is not in use for a long period, so as to prevent electric shock, electric leakage, or fire due to the deterioration of the power cord.
- ❗ **WARNING:** If the ULT freezer is to be stored unused in an unsupervised area for a long period, ensure that children do not have access to the ULT freezer. The disposal of the ULT freezer shall be accomplished by the appropriate personnel. Remove doors to prevent accidents such as suffocation.
- ❗ **WARNING:** If CO₂/LN₂ standby system is used, a good ventilation environment must be provided at the installation and use site.
- ❗ **WARNING:** Increased carbon dioxide concentrations in the air can asphyxiate and endanger life safety. In case of poor ventilation, other methods must be considered to ensure a safe environment.
- ❗ **WARNING:** Do not leave the plastic packing bags in a place where they can be reached by small children as this may result in suffocation accidents.
- ❗ **WARNING:** Do not climb on the ULT freezer or put any objects on the ULT freezer, otherwise the ULT freezer may fall and cause injuries or cause damage to the ULT freezer.
- ❗ **WARNING:** Do not use the ULT freezer outdoors. Exposure to rain may cause an electric leakage or electric shock.
- ❗ **WARNING:** Do not place the ULT freezer in a humid location or a place where the ULT freezer is easy to be splashed with water. Otherwise, an electric leakage or electric shocks may be caused by the deterioration of insulation.

- ❗ **WARNING:** Do not pour water directly onto the ULT freezer, otherwise it may cause an electric shock or a short circuit.
- ❗ **WARNING:** Never disassemble, repair, or modify the ULT freezer yourself. Otherwise, fire or personal injuries may be caused by improper operation.
- ❗ **WARNING:** Do not connect the grounding wire to a gas pipe, power supply pip, telephone line, or lightning rod when grounding the ULT freezer. The above grounding methods will cause electric shocks or other hazards.
- ❗ **WARNING:** Do not touch any electrical parts such as the power plug or operate any switch with a wet hand, otherwise it may cause an electric shock.
- ❗ **WARNING:** Do not put water containers or heavy objects on the ULT freezer. Falling objects may cause personal injuries and spilled water may cause the insulation to be reduced and result in an electric leakage or electric shock.
- ❗ **WARNING:** Never insert metal objects such as iron nails and wires into any vent, gap, or air outlet on the ULT freezer. This may cause electric shocks or injuries by accidental contact of these objects with moving parts.
- ❗ **WARNING:** It is not allowed to tie, drag, pull, wind and bind the power cord, or damage the power cord plug. Damaged power cords or plugs may cause fire or electric shock.
- ❗ **WARNING:** The power cord with a loose plug is not allowed, because it may cause fire or electric shock.
- ❗ **WARNING:** It is not allowed to put glass bottles or canned items in the ULT freezer, which may be frozen and cracked, causing injury to personnel.
- ❗ Refrigerant and cyclopentane foaming material used for the appliance are flammable. Therefore, when the appliance is scrapped, it shall be kept away from any fire source and be recovered by a special recovering company with corresponding a qualification other than being disposed of by combustion, so as to prevent damage to the environment or any other harm.
- ❗ **IMPORTANT:**
Flammable gas and refrigerant used. It is the consumer's responsibility to comply with Federal and Local regulations when disposing of this product. Suggestion: Cut off the pipeline and drain the refrigerant without any open fire around.



The product with the symbol reads "warning terms";



The product with this symbol reads "prevent fire, stay away from fire sources";

CYCLOPENTANE

The product with this symbol reads "cyclopentane blowing"

- Power supply voltage: This series of products use 220V-240V/50Hz AC power supply, if the use of voltage lower than 198V or higher than 264V, need to add a suitable automatic voltage stabilizer with the use(5kVA).
- Use of this series of products requires a low-voltage air circuit breaker and earth leakage protection device for the power supply.

- A special power socket must be used and reliable grounding must be carried out, and the length of the power line must not be arbitrarily extended. If extensions are required, copper-core conductors with a cross-sectional area of 2.5mm² or more must be used, and copper-core conductors in the wall connected to the power socket must also have a cross-sectional area of 4mm² or more.
- This series of products are strictly prohibited to put into flammable, explosive dangerous goods and strong corrosive acid, alkali and other items;
- The keys of this series of products need to be properly stored to avoid accidents when children get them and open the door to play;
- Do not connect the neutral wire (N terminal) and the ground wire (E terminal) of the power socket together, otherwise it can cause the shell of this series of products to be charged and an electric shock accident can occur;
- The power cord cannot be bundled and used, cannot be pressed under heavy objects, and cannot be close to heat sources such as compressors.
- When it needs to restart the ULT freezer after the ULT freezer is unplugged or the power to the ULT freezer is interrupted, check the settings of the ULT freezer. Items stored inside the ULT freezer may be adversely affected if the operation of the ULT freezer is resumed with changed settings.
- If the ULT freezer is unplugged or the power to the ULT freezer is interrupted, do not restart the ULT freezer for at least 5 minutes to avoid damage to the compressor or system.
- The filter screen shall be checked in time and cleaned. Dust-laden filter screens can cause temperature rise or failure in the ULT freezer.
- If the power plug has dust, it needs to be cleaned in time. Improper connection or plug filled with dust may cause heating or ignition.
- After the power is cut off or the power switch is off, the set point shall be checked when the power switch is restarted; otherwise, the stored items may be damaged due to setting change.
- Wear gloves during maintenance to avoid personal injuries caused by touching sharp edges or corners.
- The stored items shall not be contacted directly by hand. Direct contact with the frozen items or the inner wall of the ULT freezer without gloves may cause frostbite.
- Close the door by holding the handle to prevent fingers from being pinched.
- Tilt the ULT freezer for 45° when handling or moving it.
- Be careful not to trip over the ULT freezer when handling the ULT freezer, so as to prevent damage to the ULT freezer or personnel injuries.
- Do not use door handles to lift or carry equipment to prevent damage to the ULT freezer or personnel injuries.
- Do not use electrical appliances inside the storage compartment of the ULT freezer, unless they are of the type recommended by the manufacturer.

Precautions for Use

- ★ When the ULT freezer is running, the contact part between the front of the ULT freezer and the outer door may be heated, which is not a fault. In order to prevent condensation around the ULT freezer housing, the heating condensate pipe is installed.
- ★ Before storing items in the equipment, check that the temperature in the storage compartment reaches the set temperature and then store the items in batches. The volume of each batch of items to be placed in the ULT freezer shall not exceed 1/3 of the volume inside the ULT freezer to prevent excessive temperature rise.
- ★ The displayed equipment temperature is the temperature at the temperature sensor in the storage compartment. There is a certain difference between the temperature displayed at the beginning of the operation of the equipment and the actual temperature in the center of the equipment, but as the equipment enters a stable state, the displayed temperature will gradually approach the actual temperature.
- ★ An inspection hole is installed on the enclosure of the equipment to pull out the testing line in the ULT freezer during the testing. After the testing line is pulled out, it is necessary to plug the testing hole again with thermal insulation material, otherwise the temperature in the ULT freezer may not reach the set temperature and cause condensation around the outside of the hole (applicable to ULT freezers with testing holes).
- ★ Please clean the equipment with a diluted neutral detergent. Do not use brushes, acids, gasoline, soap powder, polishing agents, or hot water for cleaning, otherwise the painted surface and plastic rubber parts may be damaged. Pay extra attention to not wipe plastic and rubber parts with volatile solvents such as gasoline.
- ★ When the ULT freezer is not in use for a long period, cut off the power supply and turn off the battery switch.
- ★ If the ULT freezer is not started again for a long time, a low battery level may occur. After the battery switch is placed at "ON", the battery can be charged, and the ULT freezer can run continuously for about one week to charge the battery (applicable to models with batteries).
- ★ Please minimize the time of opening the door during each access to the items, so as not to cause great fluctuations in the temperature and humidity in the ULT freezer.
- ★ After the door is opened, the temperature in the ULT freezer will rise sharply in a short time, which is normal, and it will return to set temperature of normal operation after the door is closed.
- ★ After the ULT freezer has been running for a period of time, a layer of frost is formed on the inner wall and inner door of the ULT freezer. If the frost layer is too thick, it will affect the thermal insulation effect of the ULT freezer and increase the power consumption. Therefore, after the frost layer reaches 5 mm, the attached shovel shall be used to defrost.
- ★ Before defrosting, the frozen items in the ULT freezer shall be taken out with ice shovel and put in a suitable environment for storage, to not damage the items due to temperature rise in the ULT freezer.
- ★ There are many refrigerating coils behind and on the side of the inner wall. The frost from the inner wall shall not be removed by sharp tools such as knife, ice chisel or screwdriver. The inner wall shall not be scratched during defrosting, or the ULT freezer will fail.

Product Installation

Installation Environment

- ★ Ambient temperature: 10 °C~32 °C; ideal temperature: 18 °C~25 °C; air conditioning system shall be used if necessary.
- ★ Ambient humidity: below 80%Rh. The humidity shall be less than 60% Rh if the maximum operating temperature is 32 °C.
- ★ Avoid exposure to large amounts of dust.
- ★ Avoid mechanical swinging or vibration.
- ★ Altitude of working position of ULT freezer: lower than 2000m.
- ★ Input voltage: within 220-240V ± 10%.
- ★ The ULT freezer is sensitive to ambient temperature. If installed in an environment other than the above, the ULT freezer cannot operate normally. Please use it after improving the environment.
- ★ Do not install the ULT freezer outdoors. Exposure to rain may cause an electric leakage or electric shock.
- ★ Over-voltage level: II , IPX0, Pollution level: 2

Installation Site

- ★ It shall not be installed in a narrow and closed space. The door body of the room where the ULT freezer is placed shall not be smaller than or lower than the ULT freezer, or at least the normal access of the equipment shall be ensured, so as to avoid maintenance difficulties in the event of equipment failure and causing damage to the stored items due to failure of repairing the equipment in time.
- ★ The ground for installation must be solid and flat, non-combustible and able to withstand the weight of the equipment during operation.
- ★ Good ventilation, no exposure to direct sunlight.
- ★ Each freezer shall be provided with an independent power socket. Please ensure that the power socket is capable of bearing a current of ≥ 16 A and that the plug is firmly connected to the socket. The power cord shall not be twisted or pressed.
- ★ Check the working voltage before use. A voltage stabilizer suitable for the equipment load shall be considered for use in areas with unstable voltage. The voltage stabilizer power shall be more than 4,000 W to ensure that the input voltage requirements in the installation environment are met.
- ★ The equipment shall be grounded securely. If the power cord socket is equipped with a grounding wire, check that the grounding is good before use. If the socket is not equipped with a grounding wire, be sure to have a professional engineer install the grounding wire.



- ★ Do not connect the grounding wire to a gas pipe, water pipe, telephone line, or lightning rod when grounding the ULT freezer, otherwise it may cause an electric shock.
- ★ The power plug must be accessible after installation to facilitate timely unplugging of the power cord in case of an emergency. Do not block the vent of the ULT freezer.



- ★ Since the ambient temperature has a large impact on the equipment, the equipment may not operate normally if the above environmental requirements cannot be met. Please improve the environment before using the equipment, and please note that the equipment has an intermittent operation system.

Preparations before Use

1. Remove all transport packaging materials and belts.
2. Count the accompanying accessories. Check the items in the box against the contents of the packing list. If there is any discrepancy, please contact after-sales service personnel in time.
3. The placement conditions shall be such that clearances of at least 30cm are reserved around the ULT freezer for ventilation and heat dissipation.
4. Rotate the horizontal supporting feet clockwise with a wrench or manually to extend downward so that they are supported on the ground to ensure that the ULT freezer does not move when used.
5. Open the outer door by more than 90°, take out the rack from the bottom of the freezer, remove the rack protective film, and place the rack one by one on the rack support strip.



- ★ Place the plastic packing bag in a place not accessible to children to avoid suffocation accidents.

Initial Start

Follow the steps below when using the equipment for the first time:

1. After the equipment is placed, leveled and cleaned, it shall be left to stand for more than 24 hours before it is powered on to ensure normal operation.
2. Connect the power cord to a dedicated socket of appropriate specifications under no-load conditions.
3. After the power supply is turned on, turn on the power switch of the equipment first; if the equipment is equipped with a battery, turn on the battery switch again (at the bottom of the rear side of the freezer).
4. Set the required temperature, do not put anything in the empty ULT freezer, power on and start up, check whether the operating temperature of the equipment reaches the required temperature, observe the normal startup and shutdown of the equipment for more than 24 hours, and demonstrate that the performance of the ULT freezer is normal.
5. Put items in batches, not exceeding 1/3 of the freezer volume at a time. Ensure that the equipment is shut down and operates normally after being switched on and off for more than 8 hours before placing the next batch of items.
6. Avoid opening the door during the cooling process whenever possible; otherwise, the temperature may rise.

Operation after Power-off

The set value is memorized by the equipment. After recovery from a power failure, the equipment will resume operation with the setting parameters before the power failure.



- ★ If the ULT freezer is unplugged or the power to the ULT freezer is interrupted, do not restart the ULT freezer for at least 5 minutes to avoid damage to the compressor or system.



- ★ When the ULT freezer is not in use for a long period, unplug the power plug and turn off the battery switch (applicable to ULT freezers with batteries) to prevent electric shock, electric leakage, or fire due to the deterioration of the power cord.
- ★ If the ULT freezer is to be stored unused in an unsupervised area for a long period, ensure that children do not have access to the ULT freezer and that doors cannot be closed completely.



- The product shall be managed by a specially-assigned person to check the operation and make records every day (it is recommended to record the inspection once every 2~4 hours). In case of failure or shutdown, the temperature in the ULT freezer will rise. If it cannot be repaired in a short time, the articles shall be transferred to other places that meet the temperature requirements for storage to avoid damage to the articles.
- This product is a ULT freezer. Please confirm in advance that the temperature required for the stored articles is consistent with the temperature range of the ULT freezer to avoid damage to the stored articles due to mismatch of the temperature range.
- Due to the inertia of refrigeration, the temperature and humidity displayed on this product may differ from the actual temperature and humidity inside the freezer, which is normal.



- Since all ULT freezers are storage equipment, it is strictly prohibited to put too many relatively hot items at one time, which will cause the compressor to not stop for a long time, the temperature will drop slowly and affect the service life of the compressor. The items must be put in batches to allow the temperature to decrease by steps until the required temperature is reached!
- Do not damage the refrigeration circuit.
- Do not use electrical appliances without production permits inside the ULT freezer.
- No mechanical tools or other means without the manufacturer's permission shall be used to accelerate the defrosting process.

Product Components and Overview

Appearance Diagram

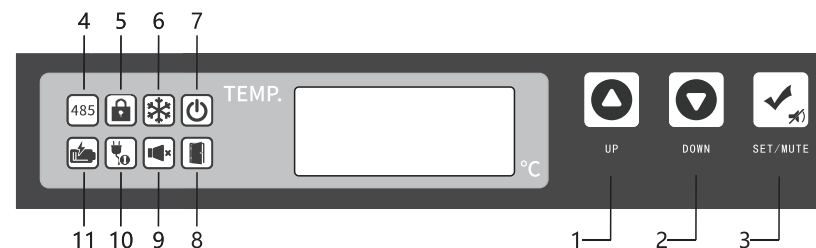


Due to product improvement and differences among models, the actual product may be different from the diagram. Please refer to the actual product!

The schematic diagrams are only for brief description of functional parts.

Operating Instructions

Display Panel



Description of Buttons and Icons

Button 1 - Up; Button 2 - Down; Button 3 - Setup/Mute.

Icon 4 - 485 communication; Icon 5 - Button locking; Icon 6 - Compressor startup; Icon 7 - Power-on; Icon 8 - Door opening; Icon 9 - Alarm silence; Icon 10 - Abnormal power supply; Icon 11 - Low battery level (all above are on)

Operation Instructions

1. Check the ambient temperature

In the lock status of the keypad, press the "Setting/ Mute Multi-function Key" to display the ambient temperature on the LED segment display. Wait for 5 seconds without any keypad operation or press the "Up" or "Down" keys to return to the normal display. In the unlock status of the keypad, press the "Setting/ Mute Multi-function Key" to display the ambient temperature on the LED segment display. Wait for 5 seconds without any keypad operation to return to the normal display.

2. Mute the alarm

When the alarm sounds, you can press the "Setting/ Mute Multi-function Key" to mute the alarm; then it will enter the status for checking the ambient temperature.

When the alarm is muted, you can press the "Setting/ Mute Multi-function Key" to restore the alarm sound; then it will enter the status for checking the ambient temperature.

In the unlock status of the keypad and the status for checking the ambient temperature, you can press the "Setting/ Mute Multi-function Key" to mute or restore the alarm sound.

3. Function of keypad lock

When the button is not locked, if there is no button operation for 60s or the Up and Down buttons are pressed at the same time for 3s (the buzzer sounds twice when the button is locked), the button is locked. In the button locked state, the ambient temperature and mute can be viewed, the rest of the button functions are locked, and the buzzer sounds twice during operation;

After pressing the Up and Down buttons at the same time for 3s, the digital tube will display "0000". Adjust the password to "5" through the Up and Down buttons. After the password is correct, return to the normal display, and the buzzer will sound once.

4. Parameter setting

When the button is not locked, press and hold the Setting/Mute button for 3s, and the digital tube displays "PS1". Press the Setting/Mute button to switch the menu and corresponding parameters, and press the Up and Down buttons to select the menu or adjust the parameters. Save the parameters after no button operation for 60s or by pressing and holding the Setting/Mute button for 3s, and exit with the buzzer sounding once.

Menu	Menu Description	Setting Range	Default	Unit
Set	Temperature setting	-86.0 ~-40.0	-81.0	°C
H	Upper deviation of high temperature alarm	0.0~10.0; 0: Cancel the alarm	10.0	°C
L	Lower deviation of low temperature alarm	0.0~10.0; 0: Cancel the alarm	10.0	°C
n	Set current date - year	--	--	/
y	Set current date - month	--	--	/
r	Set current date - day	--	--	/
S	Set current date - hour	--	--	/
F	Set current date - minute	--	--	/
PT	Printing interval	0~240	20	min
tH1	High ambient temperature alarm value	20.0~80.0	36.0	°C
Ps1	User menu password setting	0~9999	5	/
b1	Hardware version	--	2.0	/
b2	Software version	--	2.1	/

5. Export of USB temperature data

When the USB flash disk is connected to the USB port, the buzzer will buzz once, and the digital tube will display the code "on" of data upload. PDF files with the data of the current and the last months will be generated and imported into the USB flash disk. After the data transmission is completed, the buzzer will buzz once, the digital tube will display "End" and return to normal display after 6s.

Alarm Description

S/N	Alarm Code	Meaning
1	H1	Alarm for high temperature inside the freezer
2	L1	Alarm for low temperature inside the freezer
3	H2	High ambient temperature alarm
4	H3	Alarm for high condenser temperature
5	Do	Door opening alarm
6	PF	Power failure alarm
7	bL	Low battery alarm
8	E1~E4	Sensor fault alarm
9	Er	USB data recorder fault alarm

Maintenance



- ★ In order to prevent electric shocks or injuries, the power supply must be cut off before any repair and maintenance of the equipment.
- ★ Make sure that drugs or suspended particles from the surrounding environment will not be inhaled during equipment maintenance. Otherwise it may cause harm to human health.



- ★ Do not spill water directly on the freezer body to avoid reduced insulation performance of electrical components and rusting of metal parts.
- ★ Do not use hot water and corrosive cleaners or organic solvents to clean the freezer body.
- ★ Do not put heavy objects on top of the equipment to avoid deformation of the equipment due to pressure.

Cleaning of ULT Freezer

- ◆ The ULT freezer should be cleaned once a month. Regular cleaning keeps the ULT freezer a brand-new appearance.
- ◆ Wipe the dust off the ULT freezer's shell, inner chamber, and all accessories with a dry cloth. If the ULT freezer is dirty, wipe it with a cleaning cloth soaked with a neutral detergent to remove the dirt and wipe off the residual detergent with a wet cloth. Then, wipe it with a dry cloth again.
- ◆ Do not pour water onto the ULT freezer shell or into the ULT freezer. Otherwise, it may damage the electrical insulation, leading to a failure.
- ◆ The compressor and other mechanical parts are completely sealed and do not require lubrication.
- ◆ Clean the frost or ice on the inner wall and the condenser filter screen once a month.

Cleaning of Condenser Filter Screen

The filter screen shall be cleaned once a month under normal use. If the filter screen is blocked, the refrigeration effect of the freezer will be affected and the service life of the product will be reduced. Please clean the filter screen as follows.

1. Remove the front bottom hood and the filter screen.
2. Clean the filter screen with water.
3. Blow off the dust on the condenser with compressed air.
4. After the filter screen is dried, put it back to its original position and install the hood.

Note: The configuration of different product models is different, which is subject to the physical object.

Inner Wall Defrosting

Frosting may cause a gap between the ULT freezer and the door sealing strip, resulting in poor refrigeration. The inner door shall be defrosted with an ice shovel attached to the ULT freezer. The following steps are natural defrosting.

1. Shut down the auxiliary cooling device if any.
2. Remove items from the ULT freezer and transfer them to an environment suitable for storage.
3. Turn off the power switch
4. Open the outer and inner doors to allow the ULT freezer to open naturally for a period of time for defrosting.
5. Dry the accumulated water at the bottom of the ULT freezer with a piece of dry cloth.
6. After cleaning the ULT freezer and inner door, restart the ULT freezer.
7. Put the items back into the fully cooled ULT freezer.
8. If there is an auxiliary cooling device, restart the device.



Do not use knife, screwdriver or any other tool with a sharp edge to defrost.

Equipment Out of Service

Out of service: If the ULT freezer is to be stored unused in an unsupervised area for a long period, ensure that children do not have access to the ULT freezer and that doors cannot be closed completely.

Scrap: The scrapping disposal of the ULT freezer shall be carried out by corresponding professionals. In order to prevent something like suffocation, the ULT freezer doors must be removed.

Optional Accessories

Temperature Recorder

Please refer to the Temperature Recorder Instructions provided by the temperature recorder for use.



Please install the temperature recorder by professional technicians or after-sales personnel.



Please cut off the power supply before installing the temperature recorder; otherwise, electric shock or fire may occur.

Freezer Rack and Box

When the freezer stores small specifications of materials, freezer rack and box can make more efficient use of space. The height of the rack may need to be properly adjusted.

Troubleshooting and Repair Service

Any product may fail. Please observe the operation of the equipment in time during use. If there is any abnormality, please check and handle it according to the table below. If the problem cannot be solved, inform our Service Center in time, and we will do our best to help you and avoid any loss.

Fault	Troubleshooting Method
ULT freezer does not work	Is the power circuit breaker normal?
	Is the power voltage too low?
	Is the power switch off?
	Is the fuse blown?
Poor cooling	Is the ambient temperature too high?
	Is the inner door closed tightly? Is the outer door closed tightly? (The frost between the ULT freezer and the door sealing strip may damage the door sealing performance)
	Is the air inlet dirty and blocked?
	Are the condenser and filter screen dirty and blocked?
	Is the temperature set correctly?
	Is the ULT freezer away from direct sunlight?
	Is the ULT freezer close to the heat source?
	Are the rubber hole cover and insulation material of the test through hole properly placed?
Are a large amount of high temperature articles placed in the ULT freezer for a short time?	
Excessive noise	Is the ULT freezer installed on a solid and flat ground?
	Are other items contacted to the ULT freezer housing?
	Is the base of the ULT freezer leveled?



Note: If the fault cannot be eliminated after the above items are checked, or the fault is different from the above list, please contact the after-sales personnel.

Specifications

Name	ULT Freezer
Model	VS-86L108
Climate type	N
Type of protection against electric shock	Class I
Power supply	220-240V/50Hz
Temperature inside the freezer	(-86~-40) °C
Refrigerant	R601a/R290/R1150
Cooling mode	Direct cooling
Foam material	Cyclopentane
Total effective volume (L)	108
Rated current (A)	4.9
Input power (W)	850
Power consumption (kW·h/24h)	6.1
Weight (kg)	113
Product dimensions (W * D * H) mm	955*675*815
PS(High/Low)(MPa)	3.8/1.5

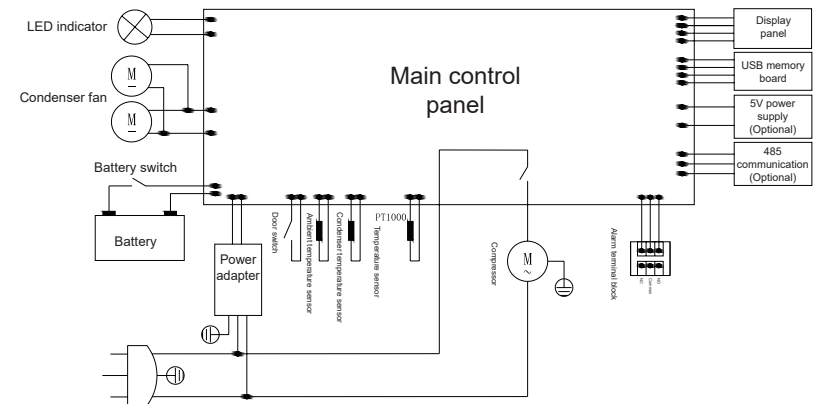
Description of technical parameters: The technical parameters in this table are measured under standard conditions. After the parameters are changed due to product improvement and technical update, no further notice will be given, which shall be subject to the nameplate attached to the ULT freezer.

Packing List

Name	Manual	Key (Based on configuration)	Defrosting Shovel	Handle (Based on configuration)
Quantity	1	2	1	1

Note: External padlock and handle optional accessories shall be subject to physical configuration.

Electrical Schematic Diagram



Service Guide

Notes

- 1 This Warranty Card should be properly kept by the customer and serves as a warranty certificate for the product together with the purchase invoice.
- 2 Since the date of purchase, faults due to product manufacturing quality without unauthorized disassembly and repair within the warranty period can be repaired based on the Warranty Card and purchase invoice after identification by the Customer Service Department or Special Repair Department, referring to the Provisions on the Liability for the Repair, Replacement and Return of Some Commodities ("New Warranty" Provisions) issued by the State Economic and Trade Commission.
- 3 Damage caused by improper transportation, use, maintenance, keeping or disassembly by a non-warranty repairer, no Warranty Card or valid invoice, the model in the Warranty Card not matching with the model of the product to be repaired or the model in the Warranty Card having been altered, and damage caused by force majeure are not covered by the warranty.

Definition of Warranty Period

This product shall be subject to free warranty during the warranty period from the date of purchase.

Free Warranty Conditions

- 1 Users who purchase Vacc-Safe ULT freezer series products and have gone through warranty registration procedures with our company.
- 2 A valid warranty certificate (Warranty Card) is provided and the name, model and bar code of the product to be repaired must be consistent with those on the Warranty Card. If a valid Warranty Card cannot be provided, the warranty shall be extended for 6 months based on the warranty period calculated from the ex-factory date indicated on the bar code of the product.
- 3 The product must be within the warranty period.
- 4 Faults caused by non-human factors.

Date of manufacture: see bar code of ULT freezer

Expected service life: 10 years

Product Warranty Period

Entire Equipment	Main Components	Remarks
One year	Three years	Main components include compressor, main control panel, display control panel, temperature controller, evaporator, condenser, filter, capillary and fan motor

(Note: In case of a separate warranty agreement, the agreement shall prevail.)