



Laboratory Equipment Pty Ltd

INSTRUCTION MANUAL

VORTEX MIXER

Laboratory Equipment Pty Ltd

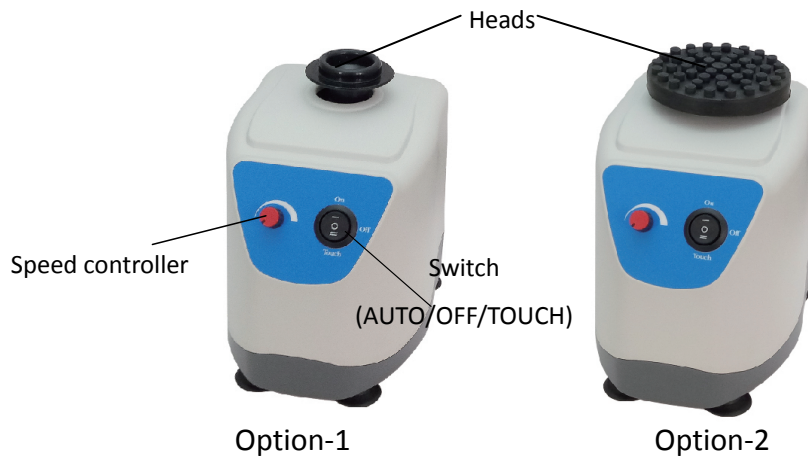
"Proudly Australian Owned and Operated."

26 Farr Street, Marrickville NSW 2204

Phone +61 02 95602811 Fax +61 02 95606131

www.labec.com.au

INSTRUCTION MANUAL FOR VORTEX MIXER SI-100N



Warnings:

- * Do not remove the mixer during operation.
- * Place the mixer securely away from the edge of bench to avoid the mixer falling off the bench top.
- * Do not disassemble the mixer by yourself. In the event of a malfunction, the mixer should be repaired by a qualified technician. Before repairing, turn off the power.

Steps:

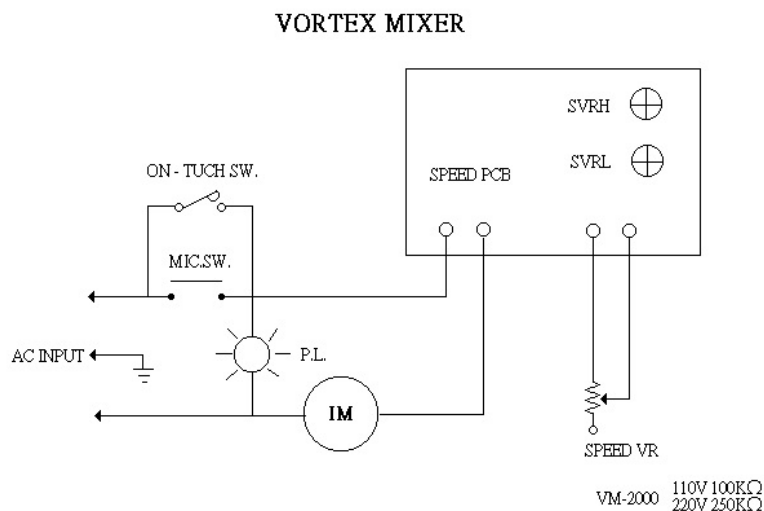
1. Place the mixer on a flat and stable bench top. Plug the mixer into a properly grounded outlet which corresponds with the electrical requirements on the label back on machine.
2. Place the 'Switch' at 'TOUCH' position. The unit will run as soon as touch on the 'Head'. The 'Power indicator' lights.
3. Place the 'Switch' at the 'AUTO' position, the unit will run automatically. The 'Power indicator' lights.
4. Turn the 'Speed controller' to the required speed.

Warning: Do not make the motor race rotation to avoid damage. After finishing operation, please place the switch at 'TOUCH' or 'OFF' position.

Maintenance and care:

Keep the machine clean all the time, so no routine maintenance is required. Cleaning can be done with a damp cloth. Avoid the use of solvents as they may damage the machine housing.

Circuit Diagram



Service Manual

Troubleshooting Guide

Caution: *Always disconnect the power cord before troubleshooting.*

Trouble	Cause	Remedy
Instrument inoperative	Power cord not connected to outlet.	Plug in the power cord.
	Dead power output.	Change to different output.
	Defective electronic component.	Contact your distributor for repair.
Head doesn't rotate	Switch isn't at 'AUTO or "TOUCH' position.	Place the switch at 'AUTO or "TOUCH' position.
	Eccentric brass rod doesn't work well.	Contact your distributor for repair.
	Switch is broken.	Contact your distributor for repair.
	Motor is broken.	Contact your distributor for repair.
	PC board is broken.	Contact your distributor for repair.
Speed can't not be controlled	PC board is broken.	Contact your distributor for repair.
	Speed controller is broken.	Contact your distributor for repair.
There is a big noise during operation	Eccentric brass rod doesn't work well.	Contact your distributor for repair.
	Belt which is to fix the eccentric brass rod doesn't work well.	Contact your distributor for repair.
Power indicator can not light up	The wiring of PC board and the power indicator is not well.	Contact your distributor for repair.
	The power indicator is broken.	Contact your distributor for repair.
The "TOUCH" function can't work	Switch isn't at "TOUCH' position.	Place the Switch at 'TOUCH' position.
	The starting button under the motor is broken.	Contact your distributor for repair.