



INSTRUCTION MANUAL



Laboratory Equipment Pty Ltd

Laboratory Equipment Pty Ltd
email: sales@labec.com.au
Ph: 02 9560 2811 • Fax: 02 9560 6131
www.labec.com.au

WATER DISTILLER INSTRUCTION MANUAL



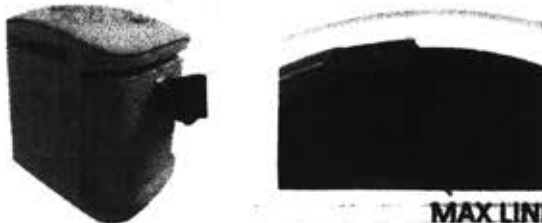
PURPOSE

It is a new type of water distiller, by heating the tap water to generate steam condenses into distilled water, and can be used for health care, electronics, laboratories, or domestic field. Use mineral-free water to protect your autoclave and instruments, and increases the life of the autoclave piping system.

USER INSTRUCTIONS

1 ▶ Connect the power cord to the power connector, check if the voltage of your equipment matches the voltage of the local electricity.

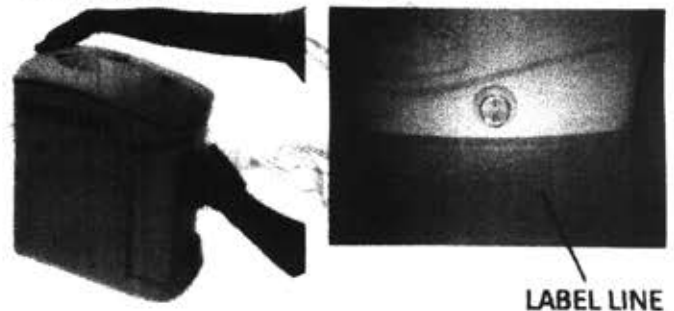
2 ▶ Remove the boiler(2), open the cover, invert tap water till the MAX line.



Notes: In order to avoid short-circuit, please keep the boiler(2) body dry.

3 ▶ Take out the carbon container (10) and put carbon bag (9) in, put back the container (10) and tight the collection lid (7).

4 ▶ Push the boiler(2) into the distiller(1) until the label line.



5 ▶ Turn on the switch(6). The distiller start working with the indicator turns to blue.

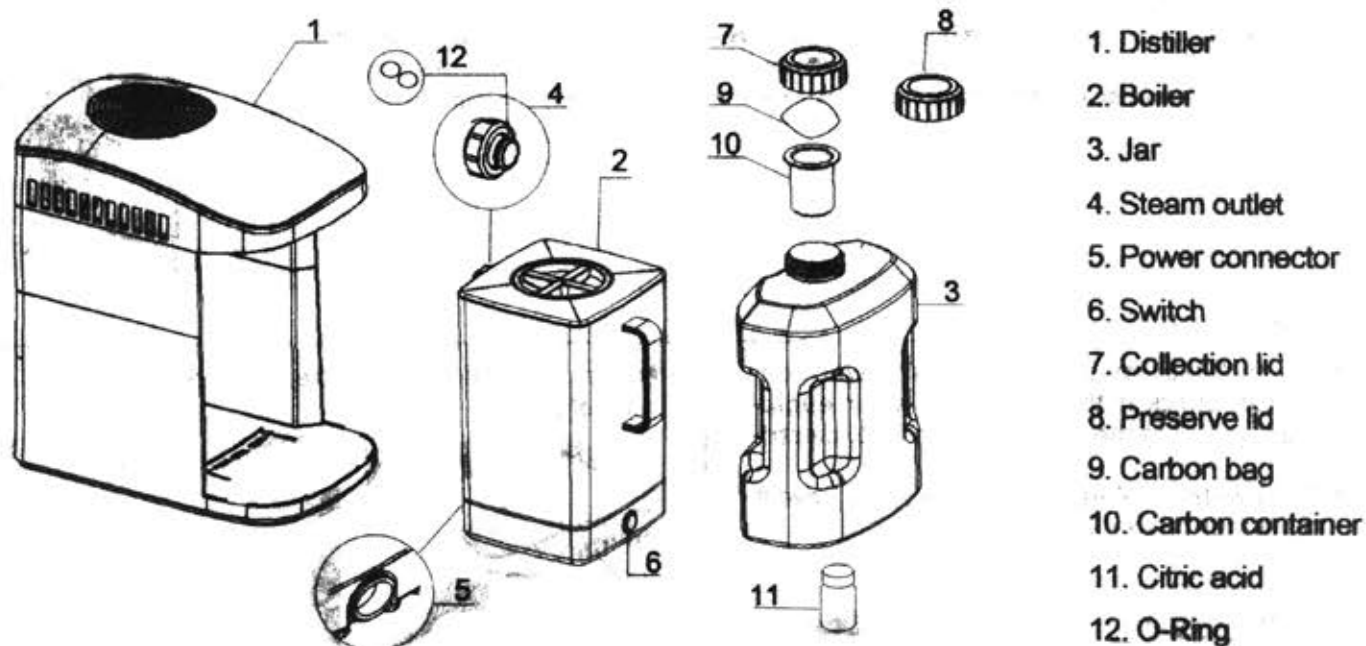
6 ▶ Push the jar(3) into the distiller(1) to collection distilled water.

7 ▶ After collecting distilled water, please take out the carbon container, and tight the preserve lid(8) for storage.

NOTES

1. Do not use the initial distilled water.
2. Keep the unit clean. Please clean the boiler usually. Cleaning method: Fill the boiler with citric acid or white vinegar to soften the sediment dirt about 3 hours, then pouring the vinegar, use tap water to clean the boiler, wipe the boiler with soft cloth or sponge.
3. The expiration date of distilled water for human consumption (as indicated) and using in sterilization is 15 days from the date of distillation.
4. Do not block the exhaust outlet.
5. The distilled water should be storage in the jar(3) or other clean plastic & glasses container.
6. Keep the unit in a dry, cool and ventilated area. The Environmental temperature should be in - 5 °C to 40 °C.
7. To prevent electric shock, do not dismantle the unit. Use the unit under the adaptable voltage.

GRAPHIC REFERENCE



- 1. Distiller
- 2. Boiler
- 3. Jar
- 4. Steam outlet
- 5. Power connector
- 6. Switch
- 7. Collection lid
- 8. Preserve lid
- 9. Carbon bag
- 10. Carbon container
- 11. Citric acid
- 12. O-Ring

SPECIFICATIONS

TECHNICAL DATA	WATER DISTILLER
INPUT	110 V / 220 V / 230 V AC
FREQUENCY.....	50/60 Hz
POWER OUTPUT.....	750 W
WATER FLOW.....	1 litre/hour
BOILER VOLUME.....	4 litres
JAR VOLUME.....	4 litres
BOILER MATERIAL.....	PC
DISTILLER MATERIAL.....	ABS 757
NET WEIGHT	4.5 kg
GROSS WEIGHT	6 kg
UNIT DIMENSIONS (W x H x D)	320 x 220 x 385 mm
BOX DIMENSIONS (W x H x D)	390 x 280 x 450 mm
QTY PER CARTON.....	1 PCS.

Table 1